

Atp-27

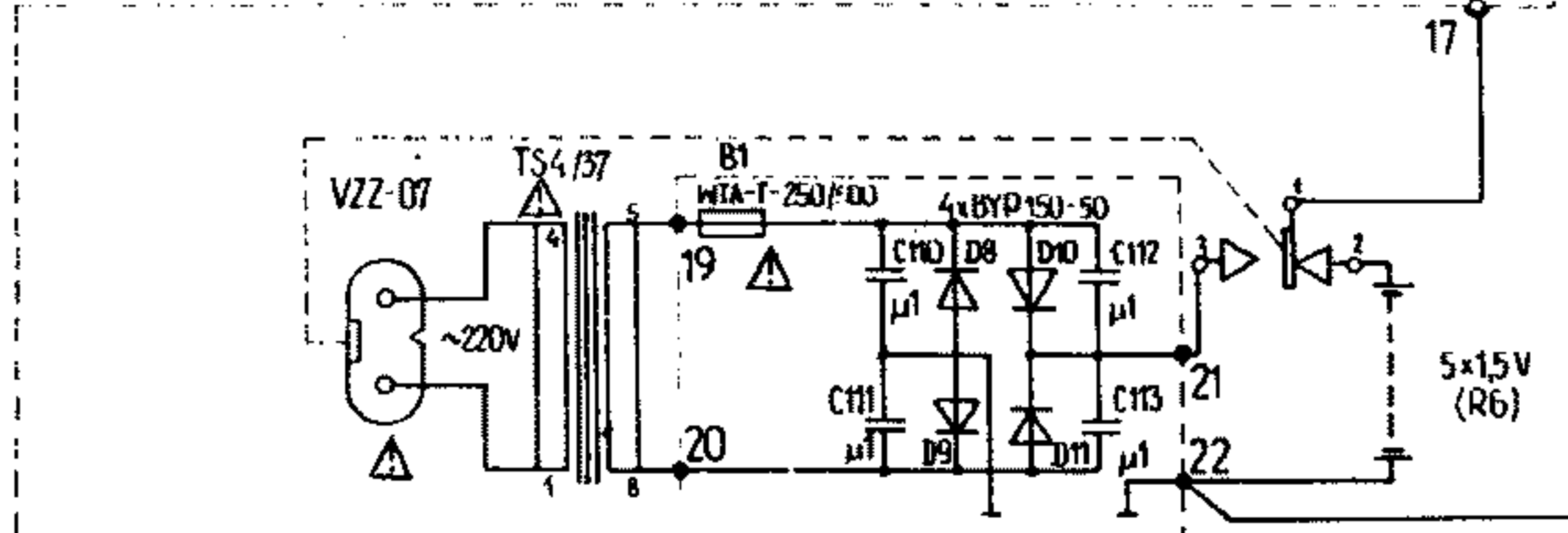
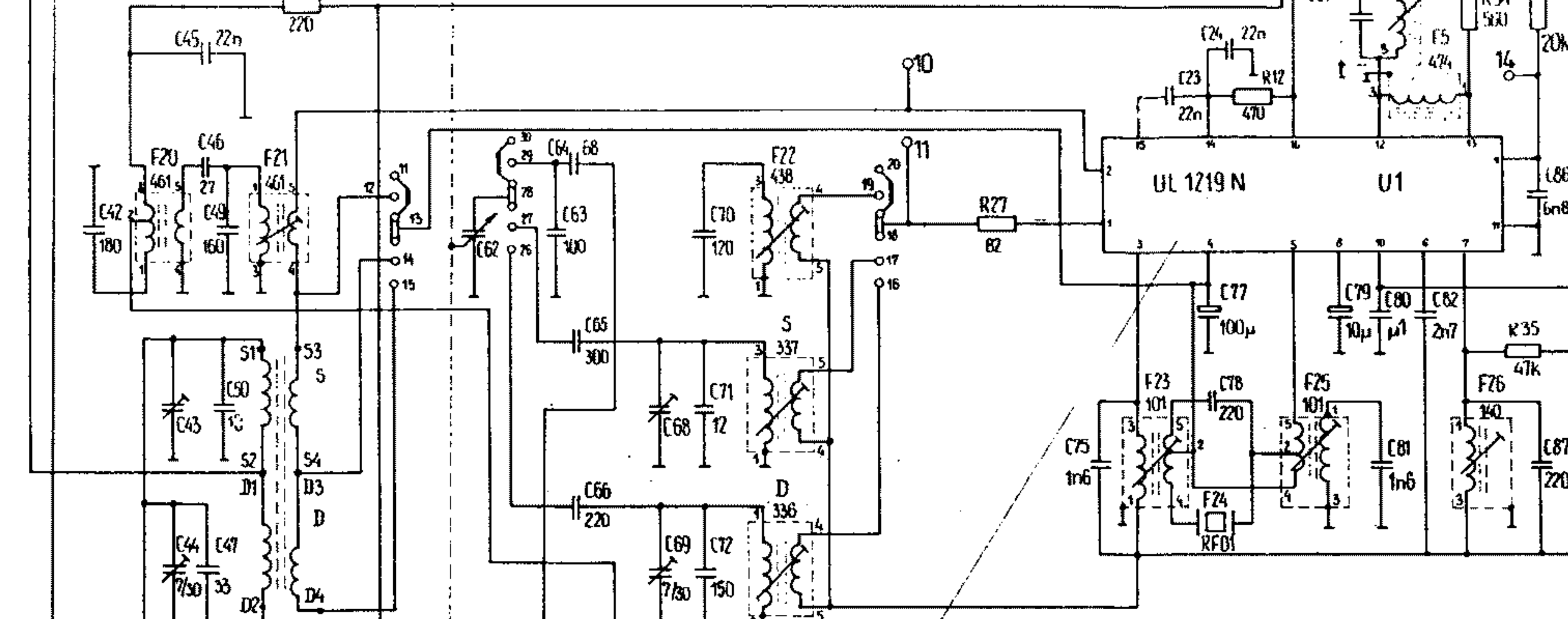
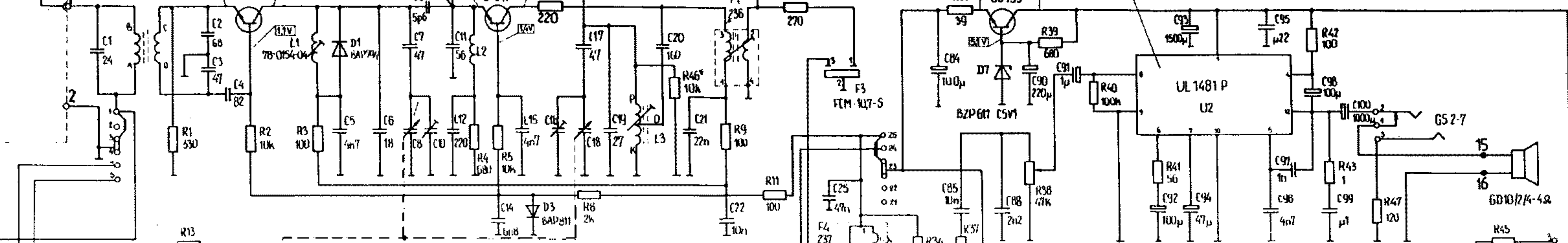
TR1  
78-5385-01

T1  
BF195

T2  
BF241

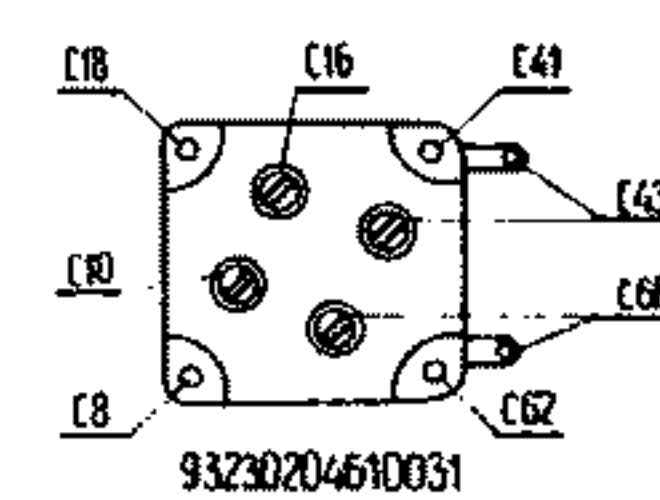
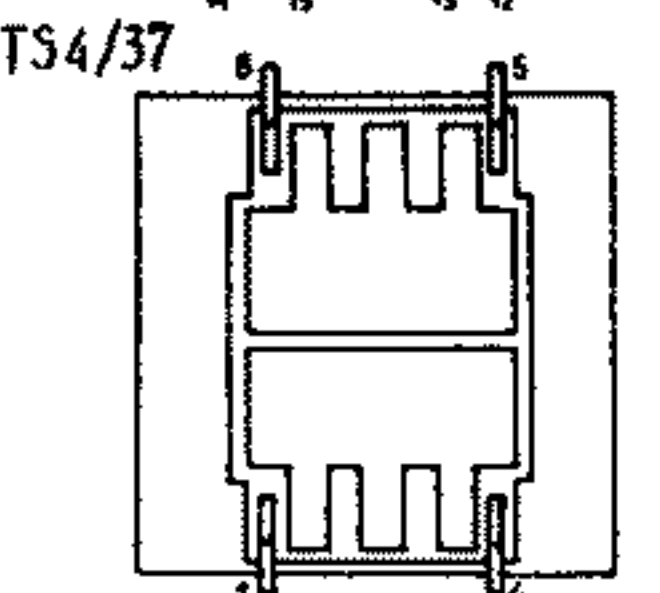
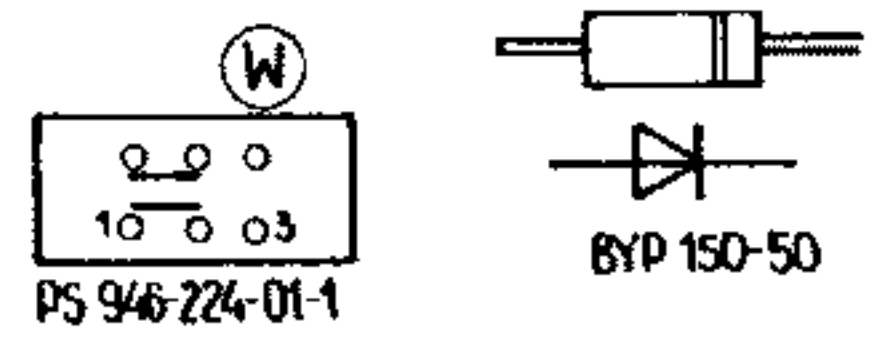
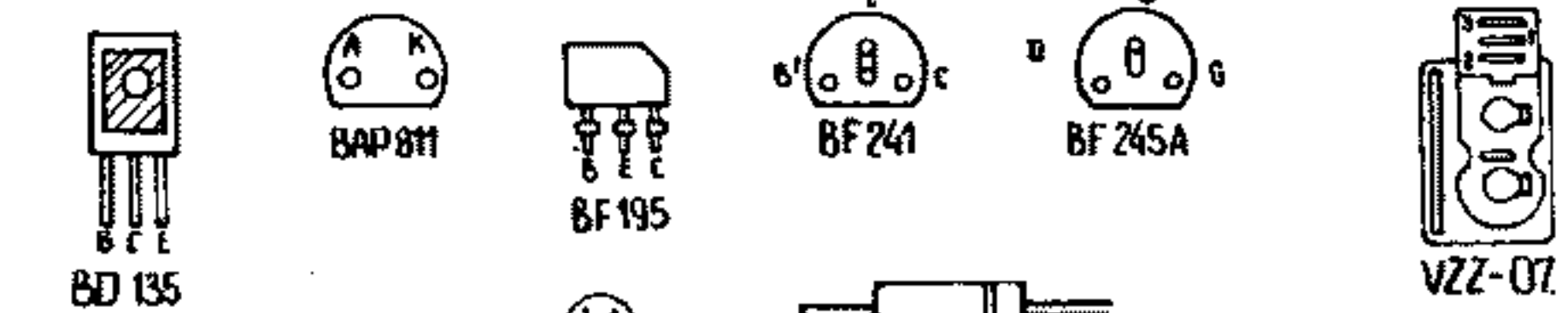
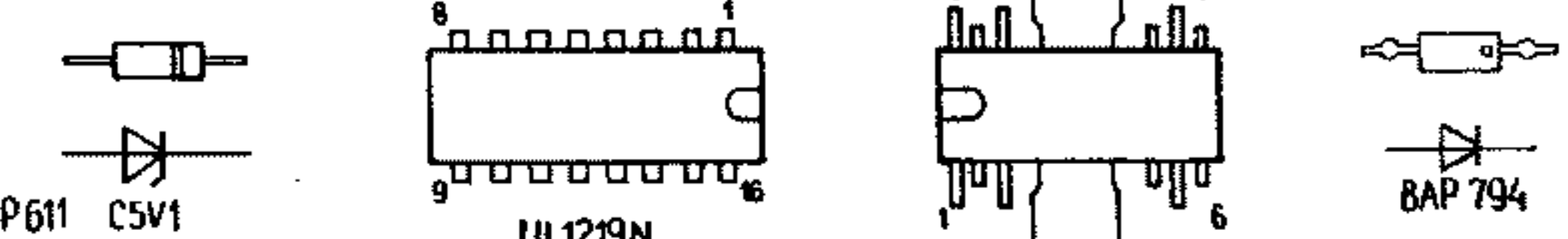
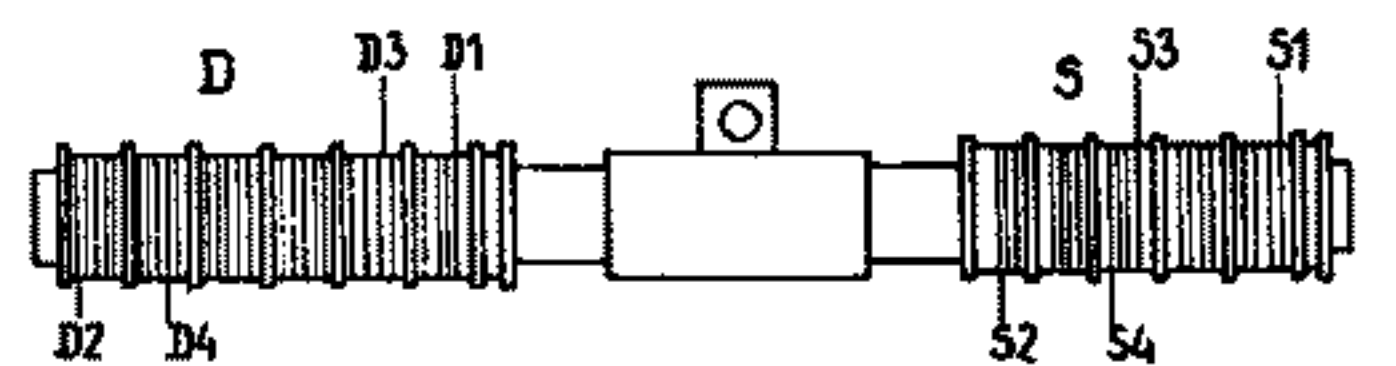
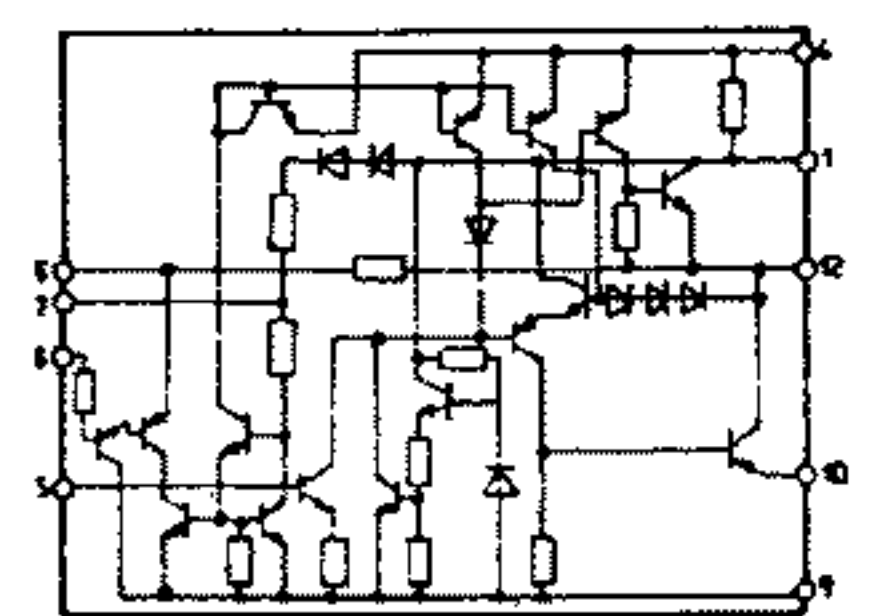
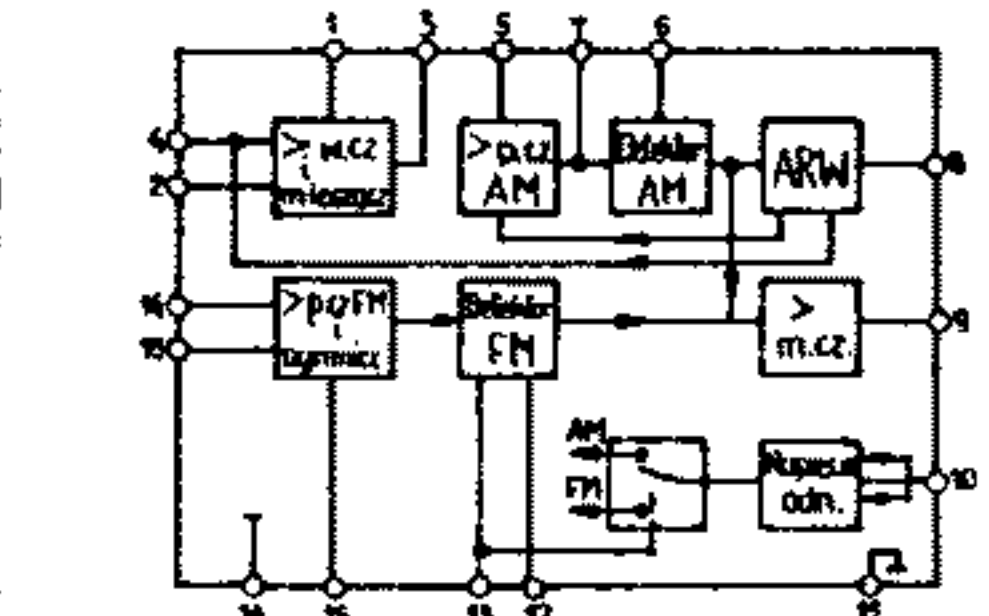
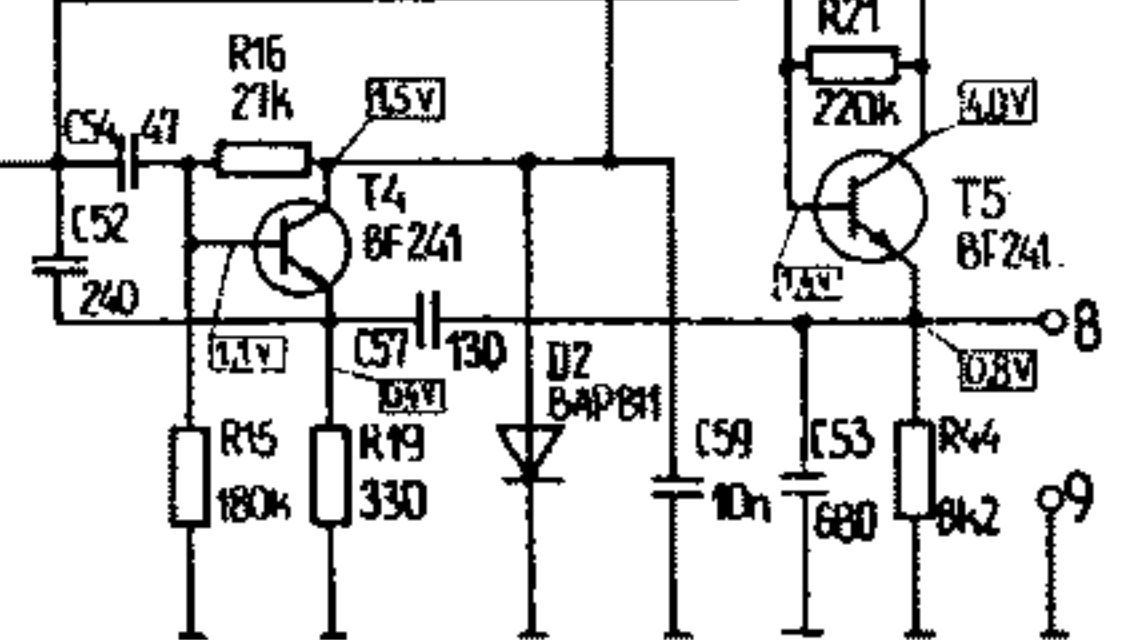
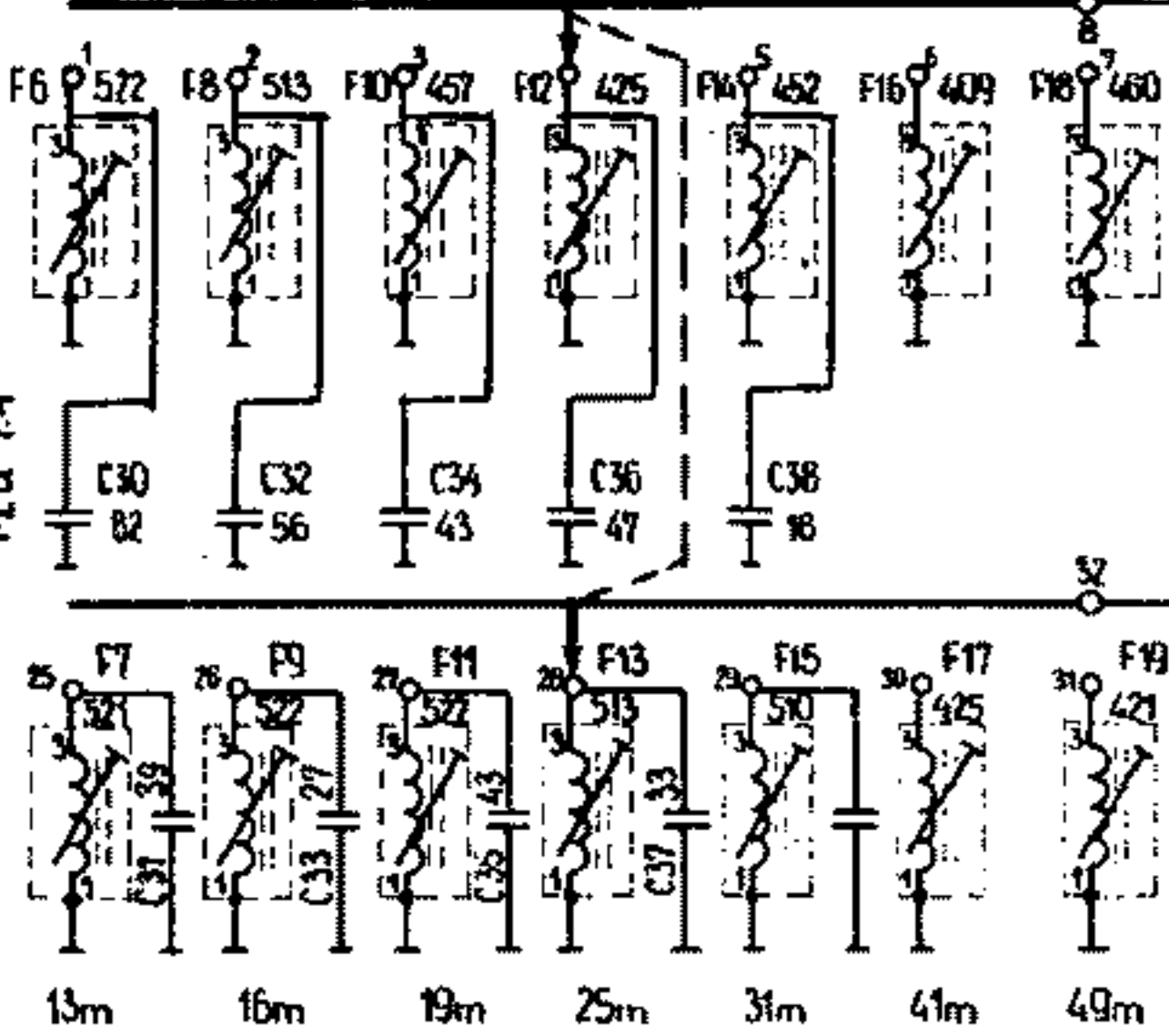
T8  
BD135

U2	1	4	5	6	7	8	9	10	12
(V)	25	75	07	14	50	0	0	0	39



U1	1	2	3	4	5	6	7	8	9	10	12	13	14	15	16
AM	42	13	42	13	37	42	07	19	42	0	0	38	38	38	38
FM	38	04	44	0	0	39	44	0	21	44	44	44	35	35	35

schemaly radlowe  
www.radio\_elektroda.net



HALINA R802, R803